



MRW-AL

Angle Fitting with
Aluminium Reflector

โคมกันฝนปีกอลูมิเนียมสะท้อนแสง



TIS.902-2532

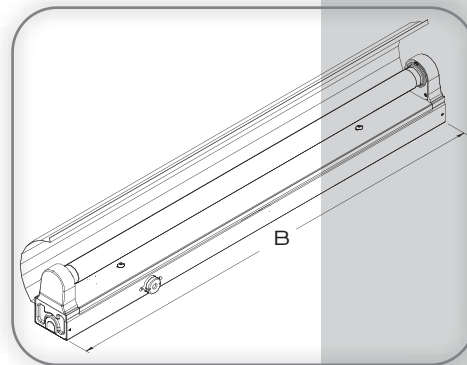
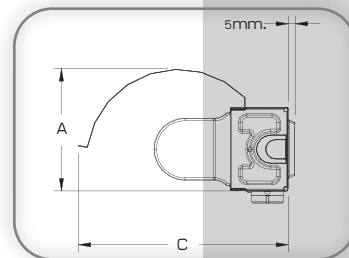


TIS.1955-2542

SPECIFICATION

- Housing :** Steel sheet thickness of 0.6-0.8 mm. And all metal parts are rust-proofed after fabrication to prevent any corrosion (zinc phosphate) and finished with high-grade epoxy polyester power coating.
- Reflector :** DSingle side aluminium reflector 99.90% purity anodized aluminium reflector to provide total reflectance of TR 87-95% mirror-finish, parabolic reflectors machined to provide optimum optical performance for maximum high-output-ratio.
- Lamp holder :** Rotary lock or spring load (G13) lamp holder certified by TIS NO.344-2549.
- Starter holder :** Rotary lock certified by TIS NO.344-2549.
- Wire :** Thw size 0.5-1.0 sqmm. 70 °c-105 °c certified by TIS NO.11-2531.

DRAWING



DIMENSION

Model No.	No. of Lamps	A (mm.)	B (mm.)	C (mm.)
MRW120AL	1 x 18w	80	613	110
MRW140AL	1 x 36w	80	1223	110
MRW120SAL	1 x 18w	80	635	110
MRW140SAL	1 x 36w	80	1245	110

Note: subject to +/- 2 mm in tolerance

MRW

Angle Fitting with Mattal
Reflector-Wire Guard
โคมกันฝนปีกเหล็กพันสี
รวมฝาครอบตะแครงลวด (ตัวยู)

Angle Fitting with Mattal
Reflector-Prismatic Diffuser
โคมกันฝนปีกเหล็กพันสี
รวมฝาครอบพลาสติก (ตัวยู)



TIS.902-2532

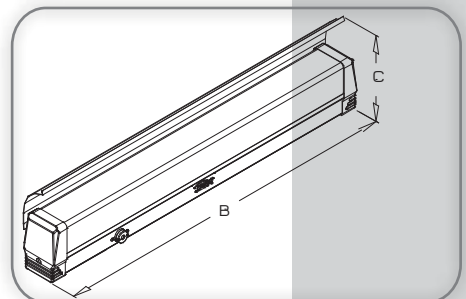
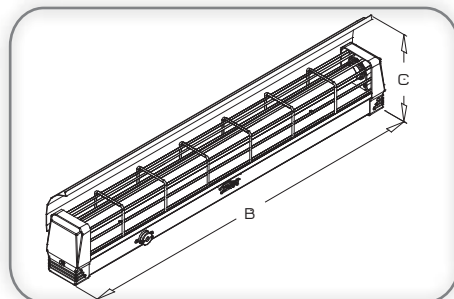
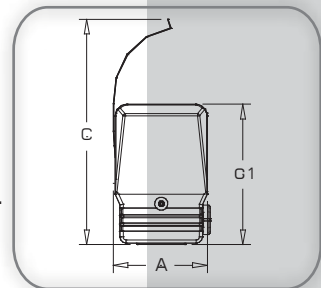


TIS.1955-2542

SPECIFICATION

- Housing :** Steel sheet thickness of 0.6-0.8 mm. And all metal parts are rust-proofed after fabrication to prevent any corrosion (zinc phosphate) and finished with high-grade epoxy polyester power coating.
- Reflector :** Single side steel reflector with high-grade epoxy polyester power coating.
- Lamp holder :** Rotary lock (G13) lamp holder certified by TIS NO.344-2549.
- Starter holder :** Rotary lock certified by TIS NO.344-2549.
- Wire :** Thw size 0.5-1.0 sqmm. 70 °c-105 °c certified by TIS NO.11-2531.
- Diffuser (Option) :**
- Wire guard :** High quality steel wire guard with 3.0 mm thickness, with high-grade epoxy polyester power coating.
- Prismatic acrylic diffuser :** Is made of prismatic acrylic with 2.0-3.0 mm. thickness,
Option diffuser :
Prismatic = PM , Opal = MU , Stipple = ES , Clear = CS

DRAWING



DIMENSION

Model No.	No. of Lamps	A (mm.)	B (mm.)	C (mm.)	C1 (mm.)
MRW120WG	1 x 18w	65	623	150	95
MRW140WG	1 x 36w	65	1233	150	95
MRW120XX	1 x 18w	65	623	150	95
MRW140XX	1 x 36w	65	1233	150	95

Note: subject to +/- 2 mm in tolerance

MRW

Angle Fitting with Mattal Reflector



โคมกันฝนปีกเหล็กพ่นสีขาว



TIS.902-2532

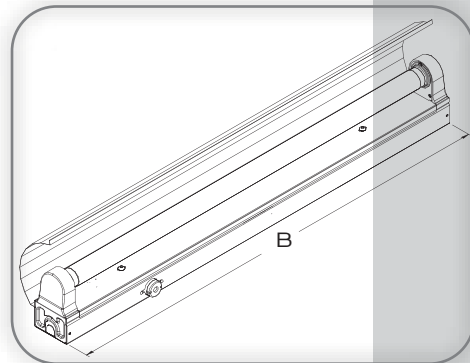
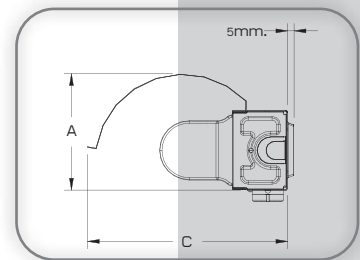


TIS.1955-2542

SPECIFICATION

- Housing :** Steel sheet thickness of 0.6-0.8 mm. And all metal parts are rust-proofed after fabrication to prevent any corrosion (zine phosphate) and finished with high-grade epoxy polyester power coating.
- Reflector :** Single side steel reflector with high-grade epoxy polyester power coating.
- Lamp holder :** Rotary lock or spring load (G13) lamp holder certified by TIS NO.344-2549.
- Starter holder :** Rotary lock certified by TIS NO.344-2549.
- Wire :** Thw size 0.5-1.0 sqmm. 70 °c-105 °c certified by TIS NO.11-2531.

DRAWING



DIMENSION

Model No.	No. of Lamps	A (mm.)	B (mm.)	C (mm.)
MRW120	1 x 18w	80	613	110
MRW140	1 x 36w	80	1223	110
MRW120S	1 x 18w	80	635	110
MRW140S	1 x 36w	80	1245	110

Note: subject to +/- 2 mm in tolerance



MRW

Angle Fitting with Aluminium Reflector-Wire Guard
โคมกันฝนอลูมิเนียมสะท้อนแสง
รวมฝาครอบตะแกรงลวด (ตัวยู)

Angle Fitting with Aluminium Reflector-Prismatic Diffuser
โคมกันฝนอลูมิเนียมสะท้อนแสง
รวมฝาครอบพลาสติก (ตัวยู)



TIS.902-2532

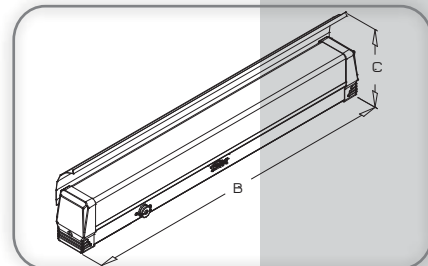
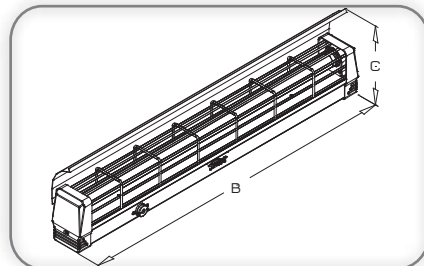
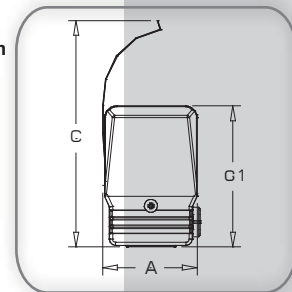


TIS.1955-2542

SPECIFICATION

- Housing :** Steel sheet thickness of 0.6-0.8 mm. And all metal parts are rust-proofed after fabrication to prevent any corrosion (zinc phosphate) and finished with high-grade epoxy polyester power coating.
- Reflector :** Single side aluminium reflector 99.90% purity anodized aluminium reflector to provide total reflectance of TR 87-95% mirror-finish, parabolic reflectors machined to provide optimum optical performance for maximum high-output-ratio.
- Lamp holder :** Rotary lock (G13) lamp holder certified by TIS NO.344-2549.
- Starter holder :** Rotary lock certified by TIS NO.344-2549.
- Wire :** Thw size 0.5-1.0 sqmm. 70 °c-105 °c certified by TIS NO.11-2531.
- Diffuser (Option) :**
- Wire guard :** High quality steel wire guard with 3.0 mm thickness with high-grade epoxy polyester power coating
- Prismatic acrylic diffuser :** Is made of prismatic acrylic with 2.0-3.0 mm.thickness,
Option diffuser :Prismatic = PM , Opal = MU , Stipple = ES , Clear = CS

DRAWING



DIMENSION

Model No.	No. of Lamps	A (mm.)	B (mm.)	C (mm.)	C1 (mm.)
MRW120WG-AL	1 x 18w	65	623	150	95
MRW140WG-AL	1 x 36w	65	1233	150	95
MRW120XX-AL	1 x 18w	65	623	150	95
MRW140XX-AL	1 x 36w	65	1233	150	95

Note: subject to +/- 2 mm in tolerance