



MPU-T8

Channel Fitting with Acrylic
Diffuser -Aluminium Reflector (Type 8")

โคมด้วยฝาครอบพลาสติก
แบบมีแผ่นสะท้อนแสง



TIS.902-2532

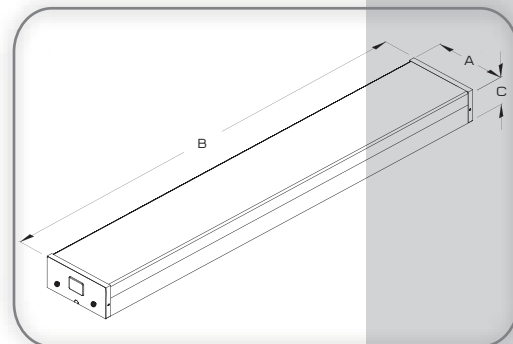
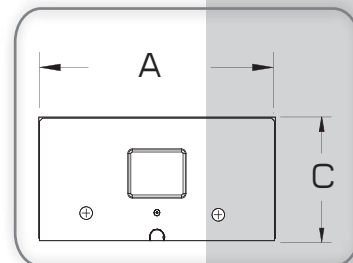


TIS.1955-2542

SPECIFICATION

- Housing :** Steel sheet thickness of 0.6-0.8 mm. And all metal parts are rust-proofed after fabrication to prevent any corrosion (zinc phosphate) and finished with high-grade epoxy polyester power coating.
- Reflector :** 99.90% purity anodized aluminium reflector to provide total reflectance of TR 87-95% mirror-finish, parabolic reflectors machined to provide optimum optical performance for maximum high-output-ratio.
- Diffuser :** Is made of grade A acrylic with 2.0 mm. thickness finishes : clear (CS)
- Lamp holder :** Rotary lock (G13) lamp holder certified by TIS NO.344-2549.
- Starter holder :** Rotary lock certified by TIS NO.344-2549.
- Wire :** Thw size 0.5-1.0 sqmm. 70 °c-105 °c certified by TIS NO.11-2531.

DRAWING



DIMENSION

Model No.	No. of Lamps	A (mm.)	B (mm.)	C (mm.)
MPU122CS-AL	1 x 18w	200	615	100
MPU222CS-AL	2 x 18w	200	615	100
MPU142CS-AL	1 x 36w	200	1225	100
MPU242CS-AL	2 x 36w	200	1225	100

Note: subject to +/- 2 mm in tolerance

MPU-T8

Channel Fitting
with Prismatic Diffuser



โคมตัวยู



TIS.902-2532

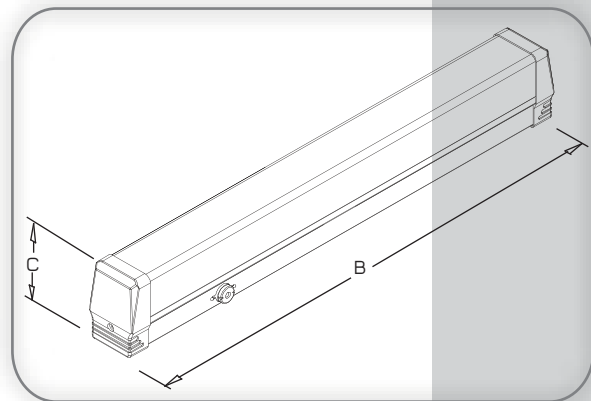
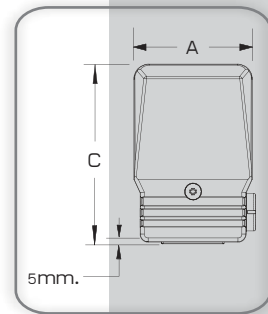


TIS.1955-2542

SPECIFICATION

- Housing :** Steel sheet thickness of 0.6-0.8 mm. And all metal parts are rust-proofed after fabrication to prevent any corrosion (zinc phosphate) and finished with high-grade epoxy polyester power coating
- Diffuser :** Is made of prismatic acrylic with 2.0-3.0 mm. thickness Option diffuser : Prismatic = PM , Opal = MU , Stipple = ES , Clear = CS
- Lamp holder :** Rotary lock (G13) lamp holder certified by TIS NO.344-2549.
- Starter holder :** Rotary lock certified by TIS NO.344-2549.
- Wire :** Thw size 0.5-1.0 sqmm.70 °c-105 °c certified by TIS NO.11-2531.

DRAWING



DIMENSION

Model No.	No. of Lamps	A (mm.)	B (mm.)	C (mm.)	Hanging hold (mm.)
MPU120XX	1 x 18w	65	623	95	484
MPU140XX	1 x 36w	65	1223	95	484

Note: subject to +/- 2 mm in tolerance



MPU-T8

Channel Fitting with Prismatic Diffuser (Wide Body)

ไทยด้วย



TIS.903-2532

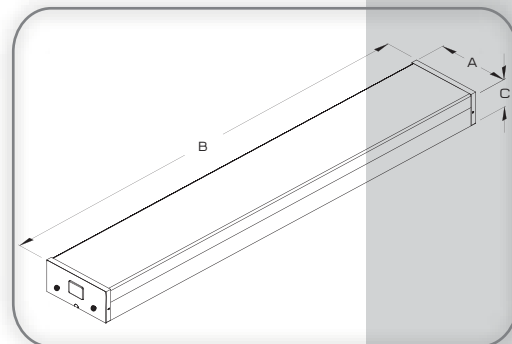
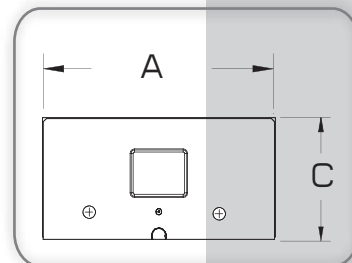


TIS.1955-2542

SPECIFICATION

- Housing :** Steel sheet thickness of 0.6-0.8 mm. And all metal parts are rust-proofed after fabrication to prevent any corrosion (zinc phosphate) and finished with high-grade epoxy polyester power coating.
- Diffuser :** Is made of prismatic acrylic with 2.0-3.0 mm. thickness Option diffuser : Prismatic = PM , Opal = MU , Stipple = ES , Clear = CS
- Lamp holder :** Rotary lock (G13) lamp holder certified by TIS NO.344-2549.
- Starter holder :** Rotary lock certified by TIS NO.344-2549.
- Wire :** Thw size 0.5-1.0 sqmm. 70 °c-105 °c certified by TIS NO.11-2531.

DRAWING



DIMENSION

Model No.	No. of Lamps	B (mm.)	C (mm.)
MPU220XX	2 x 18w	615	75
MPU240XX	2 x 36w	1225	75

Note: subject to +/- 2 mm in tolerance

MPU-T8

Channel Fitting with Acrylic
Diffuser -Aluminium Reflector (Type 6")

โคมตัวยูฟ่ากรอบพลาสติก
แบบมีแผ่นสะท้อนแสง



TIS.902-2532

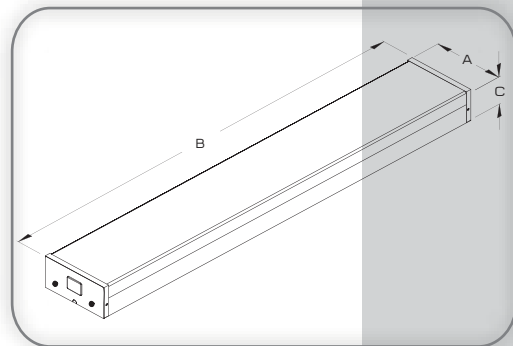
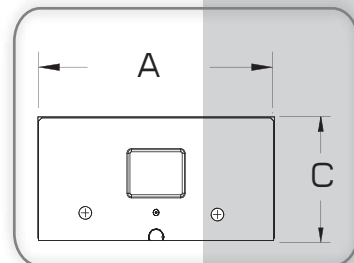


TIS.1955-2542

SPECIFICATION

- Housing :** Steel sheet thickness of 0.6-0.8 mm. And all metal parts are rust-proofed after fabrication to prevent any corrosion (zinc phosphate) and finished with high-grade epoxy polyester power coating.
- Reflector :** 99.90% purity anodized aluminium reflector to provide total reflectance of TR 87-95% mirror-finish, parabolic reflectors machined to provide optimum optical performance for maximum high-output-ratio.
- Diffuser :** Is made of grade A acrylic with 2.0 mm. thickness finishes : clear (CS)
- Lamp holder :** Rotary lock (G13) lamp holder certified by TIS NO.344-2549.
- Starter holder :** Rotary lock certified by TIS NO.344-2549.
- Wire :** Thw size 0.5-1.0 sqmm. 70 °c-105 °c certified by TIS NO.11-2531.

DRAWING



DIMENSION

Model No.	No. of Lamps	A (mm.)	B (mm.)	C (mm.)
MPU121CS-AL	1 x 18w	150	615	100
MPU221CS-AL	2 x 18w	150	615	100
MPU141CS-AL	1 x 36w	150	1225	100
MPU241CS-AL	2 x 36w	150	1225	100

Note: subject to +/- 2 mm in tolerance