



MSP-T8

Surface Prismatic Diffused Fitting
with Aluminium Reflector

โคมติดตั้งลอยฝ้ากรอบพลาสติกแบบมีแผ่นสะท้อนแสง



TIS.902-2532

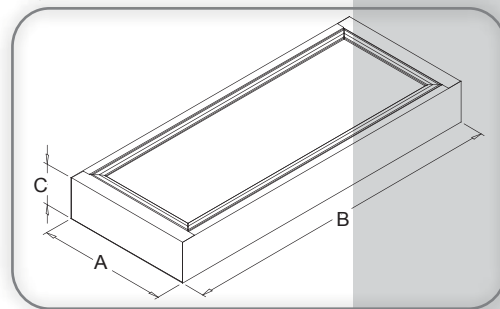


TIS.1955-2542

SPECIFICATION

- Housing :** Steel sheet thickness of 0.6-0.8 mm. And all metal parts are rust-proofed after fabrication to prevent any corrosion (zinc phosphate) and finished with high-grade epoxy polyester power coating.
- Reflector :** 99.90% purity anodized aluminium reflector to provide total reflectance of TR 87-95% mirror-finish, parabolic reflectors machined to provide optimum optical performance for maximum high-output-ratio.
- Diffuser :** Is made of prismatic acrylic with 2.0-3.0 mm. thickness
Option diffuser :
Prismatic = PM , Opal = MU , Stipple = ES , Clear = CS
- Frame for diffuser :** Extrude aluminium with high-grade epoxy polyester power coating.
- Lock type :** Spring latch locker system (inner)
- Lamp holder :** Rotary lock (G13) lamp holder certified by TIS NO.344-2549.
- Starter holder :** Rotary lock certified by TIS NO.344-2549.
- Wire :** Thw size 0.5-1.0 sqmm. 70 °c-105 °c certified by TIS NO.11-2531.

DRAWING



DIMENSION

Model No.	No. of Lamps	A (mm.)	B (mm.)	C (mm.)
MSP121XX-AL	1 x 18w	170	630	100
MSP141XX-AL	1 x 36w	170	1225	100
MSP123XX-AL	1 x 18w	320	630	100
MSP223XX-AL	2 x 18w	320	630	100
MSP143XX-AL	1 x 36w	320	1225	100
MSP243XX-AL	2 x 36w	320	1225	100

Note: subject to +/- 2 mm in tolerance



MSM-HD-T8

Surface Acrylic Diffused Fitting
with Aluminium Reflector

โคมติดลอยฝาครอบพลาสติก
แบบมีแผ่นสะท้อนแสง

Designed specially for use in food and medical industries where clean room environment is critical mirror optic reflector provides maximum optical efficiency.



TIS.902-2532

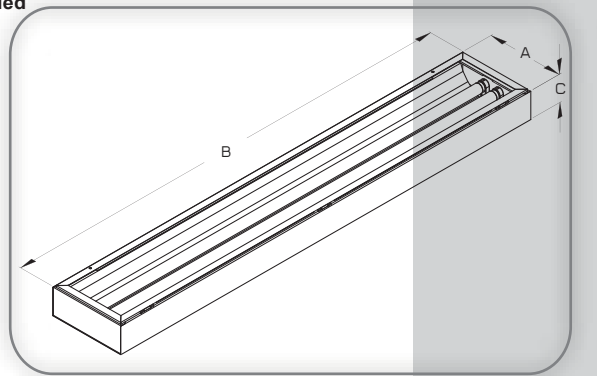
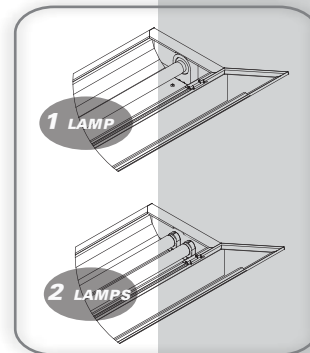


TIS.1955-2542

SPECIFICATION

- Housing :** Steel sheet thickness of 0.6-0.8 mm. And all metal parts are rust-proofed after fabrication to prevent any corrosion (zinc phosphate) and finished with high-grade epoxy polyester power coating.
Option : Stainless steel with high-grade epoxy polyester power coating.
- Reflector :** 99.90% purity anodized aluminium reflector to provide total reflectance of TR 87-95% mirror-finish, parabolic reflectors machined to provide optimum optical performance for maximum high-output-ratio.
- Diffuser :** Is made of grade A acrylic with 2.0 mm. thickness
finishes : clear (CS)
- Frame for diffuser :** Steel sheet with high-grade epoxy polyester power coating.
- Lamp holder :** Rotary lock (G13) lamp holder certified by TIS NO.344-2549.
- Starter holder :** Rotary lock certified by TIS NO.344-2549.
- Wire :** Thw size 0.5-1.0 sqmm. 70 °c-105 °c certified by TIS NO.11-2531.

DRAWING



DIMENSION

Model No.	No. of Lamps	A (mm.)	B (mm.)	C (mm.)
MSM-HD120CS-AL	1 x 18w	210	637	85
MSM-HD220CS-AL	2 x 18w	210	637	85
MSM-HD140CS-AL	1 x 36w	210	1247	85
MSM-HD240CS-AL	2 x 36w	210	1247	85

Note: subject to +/- 2 mm in tolerance

MSP-T8

Surface Prismatic
Diffused Fitting
with Aluminium Reflector



โคมติดลอยฝาครอบพลาสติกแบบมีแผ่นสะท้อนแสง



TIS.902-2532

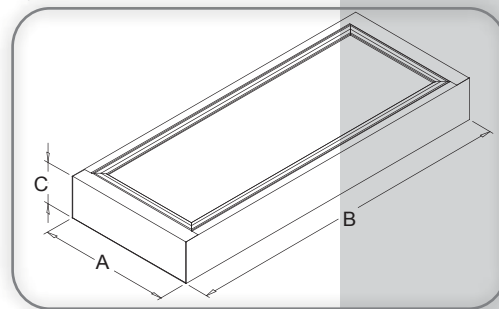


TIS.1955-2542

SPECIFICATION

- Housing :** Steel sheet thickness of 0.6-0.8 mm. And all metal parts are rust-proofed after fabrication to prevent any corrosion (zinc phosphate) and finished with high-grade epoxy polyester power coating.
- Reflector :** 99.90% purity anodized aluminium reflector to provide total reflectance of TR 87-95% mirror-finish, parabolic reflectors machined to provide optimum optical performance for maximum high-output-ratio.
- Diffuser :** Is made of prismatic acrylic with 2.0-3.0 mm. thickness
Option diffuser :
Prismatic = PM , Opal = MU , Stipple = ES , Clear = CS
- Frame for diffuser :** Extrude aluminium with high-grade epoxy polyester power coating.
- Lock type :** Spring latch locker system (inner)
- Lamp holder :** Rotary lock (G13) lamp holder certified by TIS NO.344-2549.
- Starter holder :** Rotary lock certified by TIS NO.344-2549.
- Wire :** Thw size 0.5-1.0 sqmm. 70 °c-105 °c certified by TIS NO.11-2531.

DRAWING



DIMENSION

Model No.	No. of Lamps	A (mm.)	B (mm.)	C (mm.)
MSP226XX-AL	2 x 18w	620	630	100
MSP326XX-AL	3 x 18w	620	630	100
MSP426XX-AL	4 x 18w	620	630	100
MSP246XX-AL	2 x 36w	620	1225	100
MSP346XX-AL	3 x 36w	620	1225	100
MSP446XX-AL	4 x 36w	620	1225	100

Note: subject to +/- 2 mm in tolerance

MPM

Surface Fitting with Aluminium Reflector (Pyramid)



โคมติดลอยแผ่นอลูมิเนียมสะท้อนแสง



TIS.902-2532

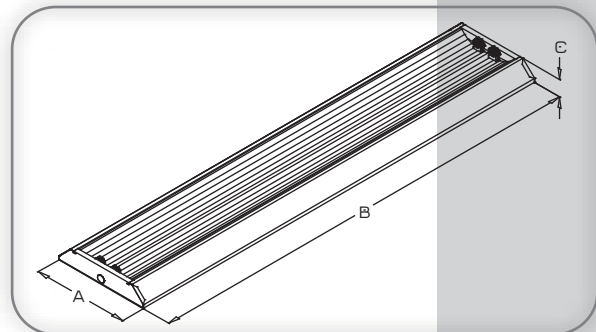
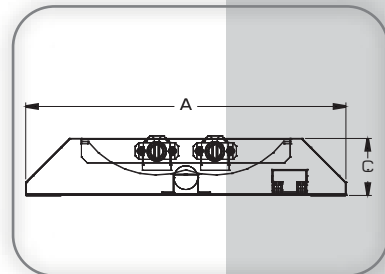


TIS.1955-2542

SPECIFICATION

- Housing :** Steel sheet thickness of 0.6-0.8 mm. And all metal parts are rust-proofed after fabrication to prevent any corrosion (zinc phosphate) and finished with high-grade epoxy polyester power coating.
- Reflector :** 99.90% purity anodized aluminium reflector to provide total reflectance of TR 87-95% mirror-finish, parabolic reflectors machined to provide optimum optical performance for maximum high-output-ratio.
- Lamp holder :** Rotary lock (G13) lamp holder certified by TIS NO.344-2549.
- Starter holder :** Rotary lock certified by TIS NO.344-2549.
- Wire :** Thw size 0.5-1.0 sqmm. 70 °c-105 °c certified by TIS NO.11-2531.

DRAWING



DIMENSION

Model No.	No. of Lamps	A (mm.)	B (mm.)	C (mm.)
MPM120	1 x 18w	275	640	50
MPM140	1 x 36w	275	1250	50
MPM220	2 x 18w	275	640	50
MPM240	2 x 36w	275	1250	50

Note: subject to +/- 2 mm in tolerance