

**WELLGLAS LIGHTING FIXTURES  
FOR DISCHARGE LAMP (H.I.D)**



A QUALITY PRODUCT



TIS 1955-2542



ISO9001:2008

**Technical data**

- Type of Protection: Ex de IIA T3 - T5
- Conforming to : Standards IEC 60079-0 to1 or UL 60079-1
- Marking for test : Ex II2G
- Degree of Protection : IP 66 / 67 acc.To IEC 60529
- Ambient Temp. (Ta) : -20°C to+ 55°C
- Rated Voltage : 220-240V.AC. 50/60Hz.
- Type : F.....C
- Lamp : Mercury vapour ,High pressure sodium and Metal halide
- Lamp holder : E27 , E40
- Transparent cover : Borosilicate glass
- Protection class for UL. : Class I, Division1 or 2 Group.C,D  
Class II, Division1 or 2 Groups.E,F,G  
Class III
- Protection class for IEC : Zone1and Zone 2



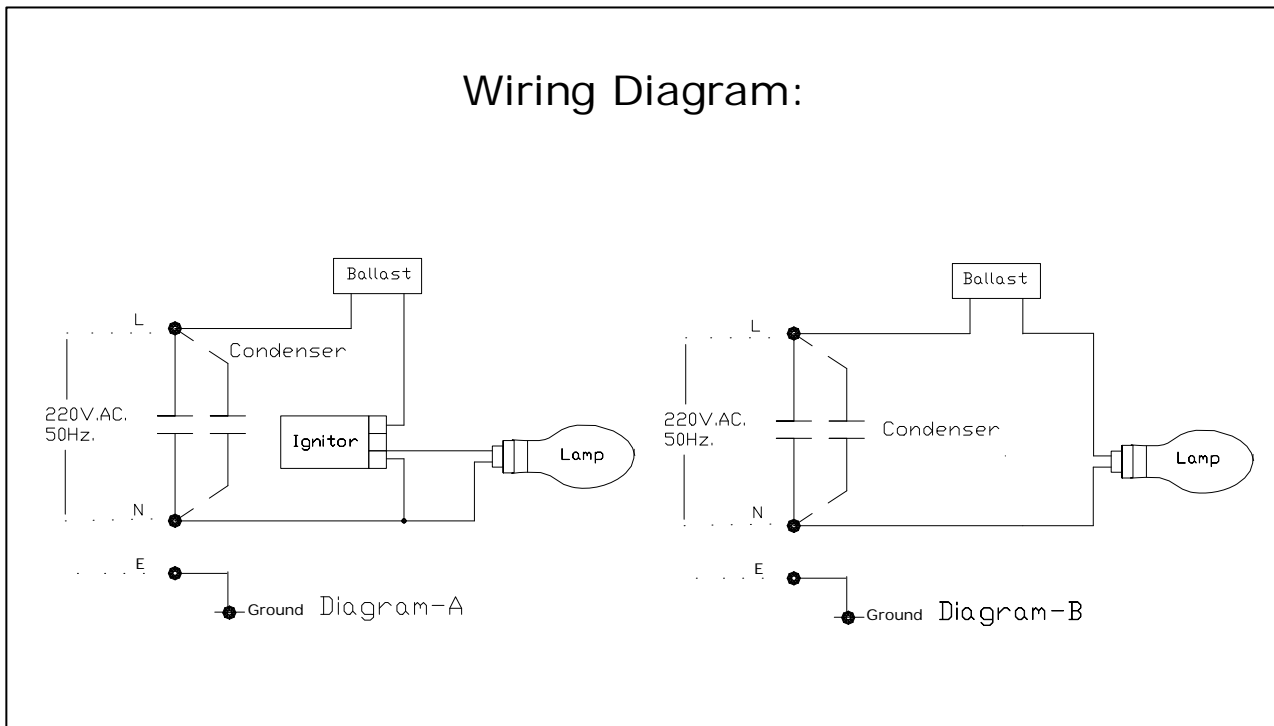
**Descriptions:**

- Housing and connection box are made of copper free aluminium alloy and coated with epoxy-polyester powder for high corrosion resistant.
- Integral control gear with in fixture body.
- Silicone gasket sealed against water and dust.
- Terminal Block is provided for 2P+E, 4 Squmm.
- 2 x NPT Thread with 1 blind plug si standard for cable entries or 2 x ISO thread is option.
- Heat and impact resistant glass globe.

**Options:**

- Cable entries in ISO thread: Suffix - *M*
- Aluminium external reflector Suffix - *R*
- Stainless steel guard: Suffix - *G*
- Stainless steel bracket: Suffix - *B*

**Wiring Diagram:**





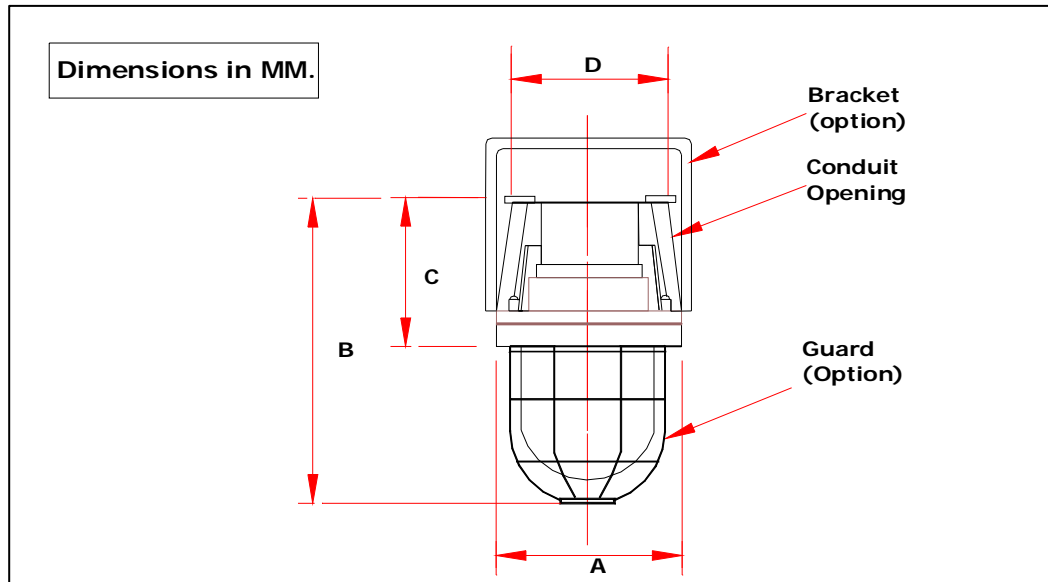
## WELLGLAS LIGHTING FIXTURES FOR DISCHARGE LAMP (H.I.D)



### EXPLOSIONPROOF

For UL.60079-1 Standard Class I,II Div.1 and 2 Groups C,D,E,F and G

For IEC.60079-0 to 1 Standard Zone 1 and Zone 2



### Catalogue Numbers:

Lamp Type	Cat.,No.	Temp.		Class	Emtries	Thread	Dimension in MM.				Wiring Diagram	Weight (kgs.)
		Ta 40 C	Ta 55 C				A	B	C	D		
<b>Mercury Vapor</b>												
HPL-N125W	FMV 125C	T5	T4	T4	1/2"	M20 x 1.5	275	355	195	210	Diagram - B	14.00
HPL-N250W	FMV 250C	T4	T4	T4	3/4"	M25 X 1.5	330	495	275	275	Diagram - B	23.00
HPL-N400W	FMV 400C	T4	T3	T3	3/4"	M25 X 1.5	330	495	275	275	Diagram - B	24.20
<b>High Pressure Sodium</b>												
SON-70WI	FPS 70C	T5	T5	T5	1/2"	M20 x 1.5	275	355	195	210	Diagram - B	14.00
SON-150W	FPS 150C	T5	T5	T5	3/4"	M25 X 1.5	330	540	320	275	Diagram - A	18.20
SON-250W	FPS 250C	T4	T4	T4	3/4"	M25 X 1.5	330	540	320	275	Diagram - A	25.50
SON-400W	FPS 400C	T4	T3	T3	3/4"	M25 X 1.5	330	540	320	275	Diagram - A	26.50
<b>Metal Halide</b>												
HPI PLUS 250W BU	FMH 250C	T4	T4	T4	3/4"	M25 X 1.5	330	540	320	275	Diagram - A	23.80
HPI PLUS 400W BUS	FMH 400C	T4	T3	T3	3/4"	M25 X 1.5	330	540	320	275	Diagram - B	25.50

**WELLGLAS LIGHTING FIXTURES  
FOR DISCHARGE LAMP (H.I.D)**

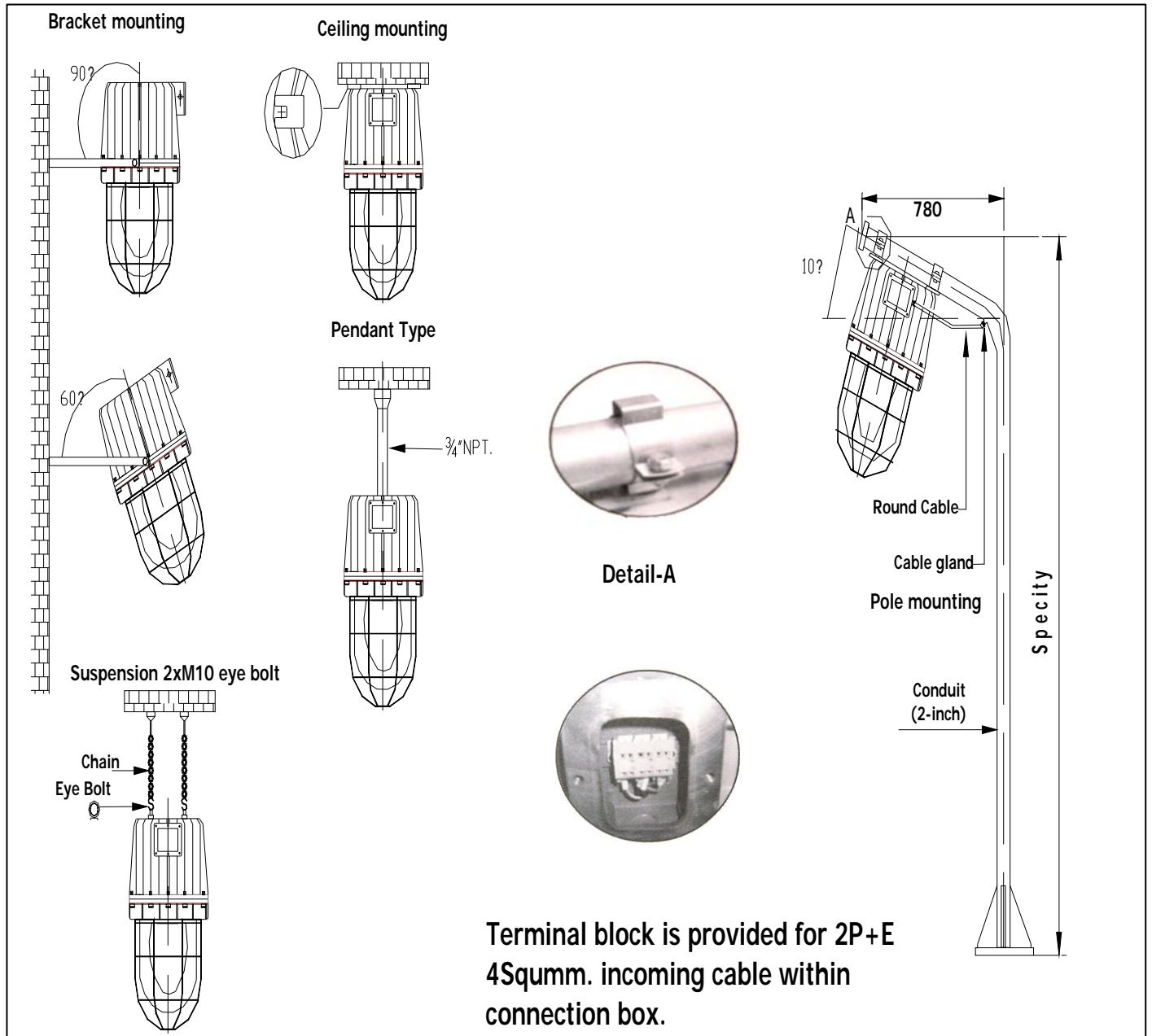


**EXPLOSIONPROOF**

For UL.60079-1 Standard Class I,II Div.1 and 2 Groups C,D,E,F and G

For IEC.60079-0 to 1 Standard Zone 1 and Zone 2

● **Installation information**



**Options:** Aluminium external reflector Suffix - R (WITH DOME)

