

ECUN Flexible Couplings



EXPLOSIONPROOF

For UL.60079-1 Standard Class I,II Div.1 and 2 Groups B,C,D,E,F and G

For IEC.60079-0/1 Standard Zone 1 and Zone 2



ISO9001:2008

Technical data

- Type of Protection: Ex d IIA T6
- Conforming to : Standards IEC 60079-1 or UL 60079-1
- Marking for test : Ex II2G
- Degree of Protection : IP66 acc.To IEC 60529
- Ambient Temp. (Ta) : -20°C to+ 75 °C
- Type :ECUN
- Protection class for UL. : Class I, Division1 or 2 Group.B,C,D
 Class II, Division 1 or 2 Groups.E,F,G
 Class III
- Protection class for IEC : Zone1and Zone 2
- Conduit hub - 1/2" - 4" NPT.



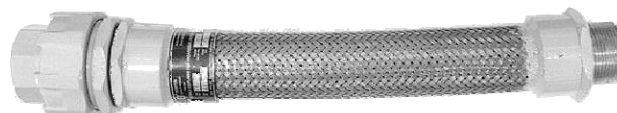
ECUN130 - ECUN3100

Applications:

The ECUN flexible couplings are used in hazardous areas to isolate conduit systems from vibration or movement of connected equipment.
 accomplish difficult bends in place of rigid conduit.

Features:

- Rugged design, stainless steel flexible tube with outer stainless steel wirebraid.
- Free swing in any direction
- Good electrical continuity, no bonding jumper required.
- Furnished with one end female unions and one male threaded fitting on the other end.
- Liquid tight for wet location.



ECUN430 - ECUN10100

Standard Materials:

- Inner flexible tube - Stainless steel
- Outer wirebraid - Stainless steel
- Unions - Copper-free aluminium
- Male threaded fitting - Bronze

Standard Finishes:

- Copper-free aluminium - Epoxy-polyester powder
- Stainless steel; - Natural
- Bronze - Epoxy-polyester powder
 # or Chromium plated

Options :

- Chromium plated, add suffix - **add suffix - C**
- Epoxy-polyester powder, add suffix - **P**

Remark:

- NEC 1/2 and 3/4 inch NPT sizes
- ★ Class I, Div. 1 and 2 , Groups B,C,D
 Class II, Div. 1 and 2 , Groups E,F,G
 Class III
- ★ 1 inch NPT sizes
 Class I, Div. 1 and 2 , Groups C,D
 Class II, Div. 1 and 2 , Groups E,F,G
 Class III
- 1-1/4 to 4 inches NPT sizes
 Class I, Div. 1 and 2 , Groups D
 Class II, Div. 1 and 2 , Groups E,F,G
 Class III



Bosston

A QUALITY PRODUCT

ECUN Flexible Couplings

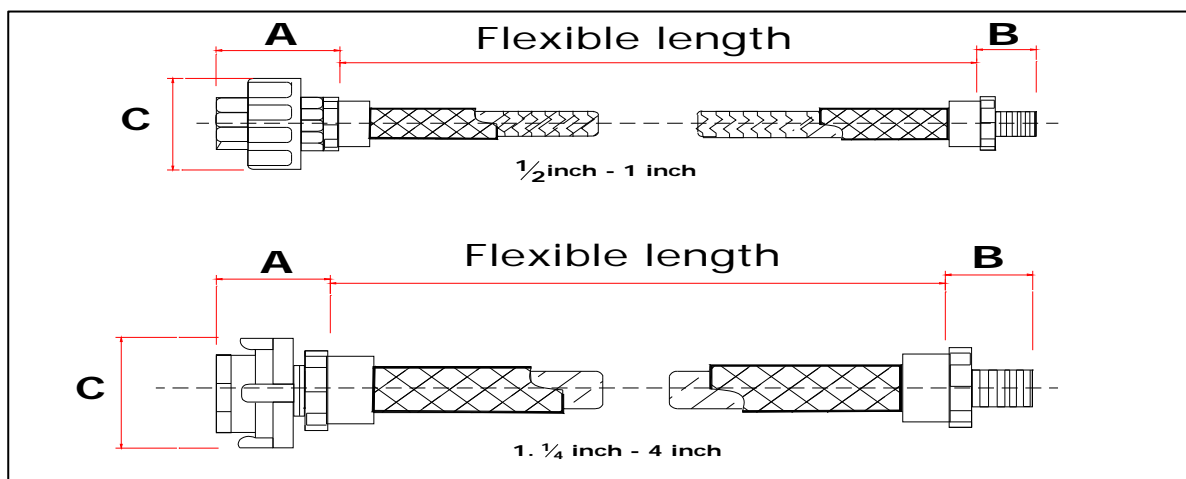
EXPLOSIONPROOF



For UL.60079-1 Standard Class I,II Div.1 and 2 Groups B,C,D,E,F and G

For IEC.60079-0/1 Standard Zone 1 and Zone 2

Sizes (inch)	Catalogue Number						
	30 cm. Flexible length	40 cm. Flexible length	50 cm. Flexible length	60 cm. Flexible length	80 cm. Flexible length	90 cm. Flexible length	100 cm. Flexible length
1/2"	ECUN 130★	ECUN 140★	ECUN 150★	ECUN 160★	ECUN 180★	ECUN 190★	ECUN 1100★
3/4"	ECUN 230★	ECUN 240★	ECUN 250★	ECUN 260★	ECUN 280★	ECUN 290★	ECUN 2100★
1"	ECUN 330★	ECUN 340★	ECUN 350★	ECUN 360★	ECUN 380★	ECUN 390★	ECUN 3100★
1.1/4"	ECUN 430	ECUN 440	ECUN 450	ECUN 460	ECUN 480	ECUN 490	ECUN 4100
1.1/2"	ECUN 530	ECUN 540	ECUN 550	ECUN 560	ECUN 580	ECUN 590	ECUN 5100
2"	ECUN 630	ECUN 640	ECUN 650	ECUN 660	ECUN 680	ECUN 690	ECUN 6100
2.1/2"	ECUN 730	ECUN 740	ECUN 750	ECUN 760	ECUN 780	ECUN 790	ECUN 7100
3"	ECUN 830	ECUN 840	ECUN 850	ECUN 860	ECUN 880	ECUN 890	ECUN 8100
3.1/2"	ECUN 930	ECUN 940	ECUN 950	ECUN 960	ECUN 980	ECUN 990	ECUN 9100
4"	ECUN 1030	ECUN 1040	ECUN 1050	ECUN 1060	ECUN 1080	ECUN 1090	ECUN 10100



Dimensions in MM.

Flexible Sizes	Flexible length																				
	30 Cm.			40 Cm.			50 Cm.			60 Cm.			80 Cm.			90 Cm.			100 Cm.		
	A	B	C	A	B	C	A	B	C	A	B	C	A	B	C	A	B	C	A	B	C
1/2"	56	20	49	56	20	49	56	20	49	56	20	49	56	20	49	56	20	49	56	20	49
3/4"	58	21	55	58	21	55	58	21	55	58	21	55	58	21	55	58	21	55	58	21	55
1"	65	27	63	68	27	63	68	27	63	68	27	63	68	27	63	68	27	63	68	27	63
1.1/4"	65	29	71	65	29	71	65	29	71	65	29	71	65	29	71	65	29	71	65	29	71
1.1/2"	75	31	83	75	31	83	75	31	83	75	31	83	75	31	83	75	31	83	75	31	83
2"	83	33	104	83	33	104	83	33	104	83	33	104	83	33	104	83	33	104	83	33	104
2.1/2"	83	39	127	83	39	127	83	39	127	83	39	127	83	39	127	83	39	127	83	39	127
3"	93	39	135	93	39	135	93	39	135	93	39	135	93	39	135	93	39	135	93	39	135
3.1/2"	95	43	158	95	43	158	95	43	158	95	43	158	95	43	158	95	43	158	95	43	158
4"	95	43	163	95	43	163	95	43	163	95	43	163	95	43	163	95	43	163	95	43	163

