

Junction Box



EXPLOSIONPROOF

For UL.60079-1 Standard Class I,II Div.1 and 2 Groups C,D,E,F and G

For IEC.60079-0/1 Standard Zone 1 and Zone 2

Technical data

- Type of Protection: Ex d IIA T6/T5
- Conforming to : Standards IEC 60079-1 or UL 60079-1
- Marking for test : Ex II2G
- Degree of Protection : IP 66 acc.To IEC 60529
- Ambient Temp. (Ta) : -20°C to+ 55 °C
- Type : JBR
- Protection class for UL. : Class I, Division1 or 2 Group.C,D
Class II, Division1 or 2 Groups.E,F,G
Class III
- Protection class for IEC : Zone1 and Zone 2

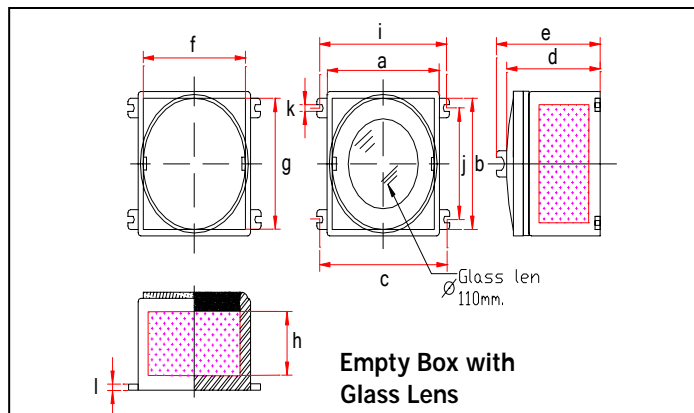
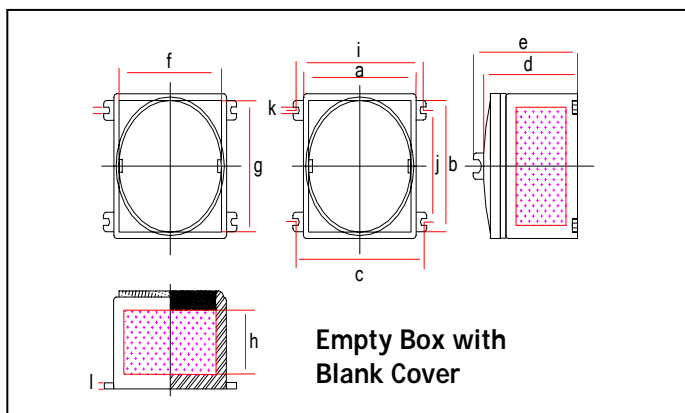
Specification:

- Body and Cover - Copper-Free aluminium power coated, RAL 7032
- Seal gasket - Neoprene (GR) -25°C to+ 55 °C
- Cable entries - NPT or ISO thread
- Weight - 7.5 Kgs.
- Rated voltage - max. 630V.AC.
(as per equipment specification)

JBR 886



Dimension in MM.



Catalogue Number

Enclosure Type	Cat.,No.	External					Internal			Mounting				Approx. Weight(Kgs.)
		a	b	c	d	e	f	g	h	i	j	k	l	
Empty box with blank cover	JBR 886 B	200	200	260	147	163	170	170	84	230	160	12	10	7.5
Empty box with Dia. 110mm. Glass lens	JBR 886 L	200	200	260	147	163	170	170	84	230	160	12	10	7.5

Remark: In case the enclosures are supplied completely with control units or devices, they will be delivered with conformity certificate and can be used without further testing.