



Standard LED bulbs

Standard LEDBulb LEDBulb 10.5-85W E27 865 220-240V 1BL/4

Standard LED bulbs are compatible with existing fixtures with a E27 holder and are designed for retrofit replacement of incandescent, halogen and energy saving bulbs. They deliver huge energy savings and minimize maintenance costs. The Standard LED bulb is the perfect bulb for your basic lighting needs. It provides the beautiful light and performance you expect from the LED technology at an affordable price.

Product data

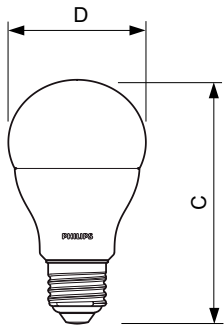
General Information		Lamp Current (Nom)	
Cap-Base	E27 [E27]		95 mA
Nominal Lifetime (Nom)	15000 h	Wattage Equivalent	85 W
Switching Cycle	50000X	Starting Time (Nom)	0.5 s
Technical Type	10.5-85W	Warm Up Time to 60% Light (Nom)	0.5 s
		Power Factor (Nom)	0.5
		Voltage (Nom)	220-240 V
Light Technical		Temperature	
Color Code	865 [CCT of 6500K]	T-Case Maximum (Nom)	85 °C
Beam Angle (Nom)	150 °		
Luminous Flux (Nom)	1055 lm	Controls and Dimming	
Luminous Flux (Rated) (Nom)	1055 lm	Dimmable	No
Color Designation	Cool Daylight	Mechanical and Housing	
Correlated Color Temperature (Nom)	6500 K	Bulb Finish	Frosted
Luminous Efficacy (rated) (Nom)	100.00 lm/W	Approval and Application	
Color Consistency	<6	Energy Efficiency Label (EEL)	A+
Color Rendering Index (Nom)	80	Product Data	
LLMF At End Of Nominal Lifetime (Nom)	70 %	Full product code	871869675281400
Operating and Electrical			
Input Frequency	50 to 60 Hz		
Power (Rated) (Nom)	10.5 W		

Standard LED bulbs

Order product name	Standard LEDBulb LEDBulb 10.5-85W E27 865 220-240V 1BL/4
EAN/UPC - Product	8718696752814
Order code	929001163892
Numerator - Quantity Per Pack	1

Numerator - Packs per outer box	4
Material Nr. (12NC)	929001163892
Net Weight (Piece)	0.060 kg

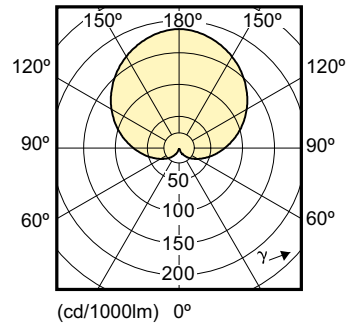
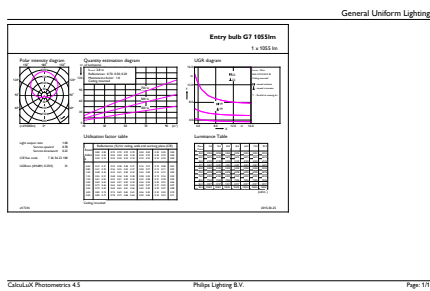
Dimensional drawing



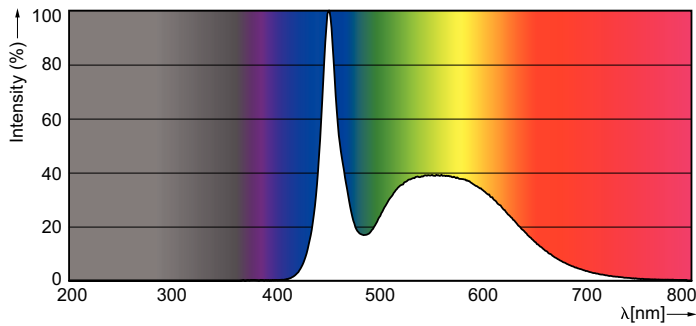
LED 10.5-75W E27 865

Product	D	C
LEDBulb 10.5-85W E27 865 220-240V 1BL/4	60 mm	110 mm

Photometric data



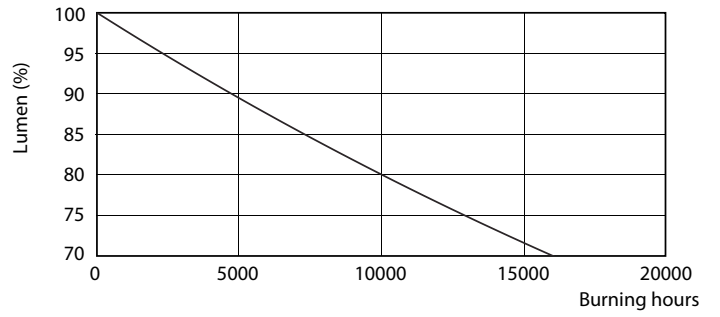
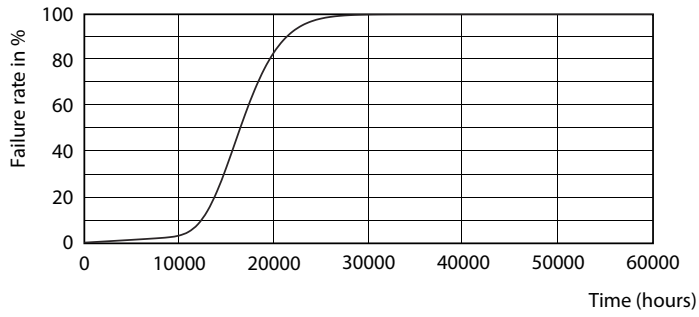
A60/ A67 E27 FR



A60 /865 FR

Standard LED bulbs

Lifetime



LEDbulb 100W E27 840 FR A60

LEDbulb 100W E27 840 FR A60

